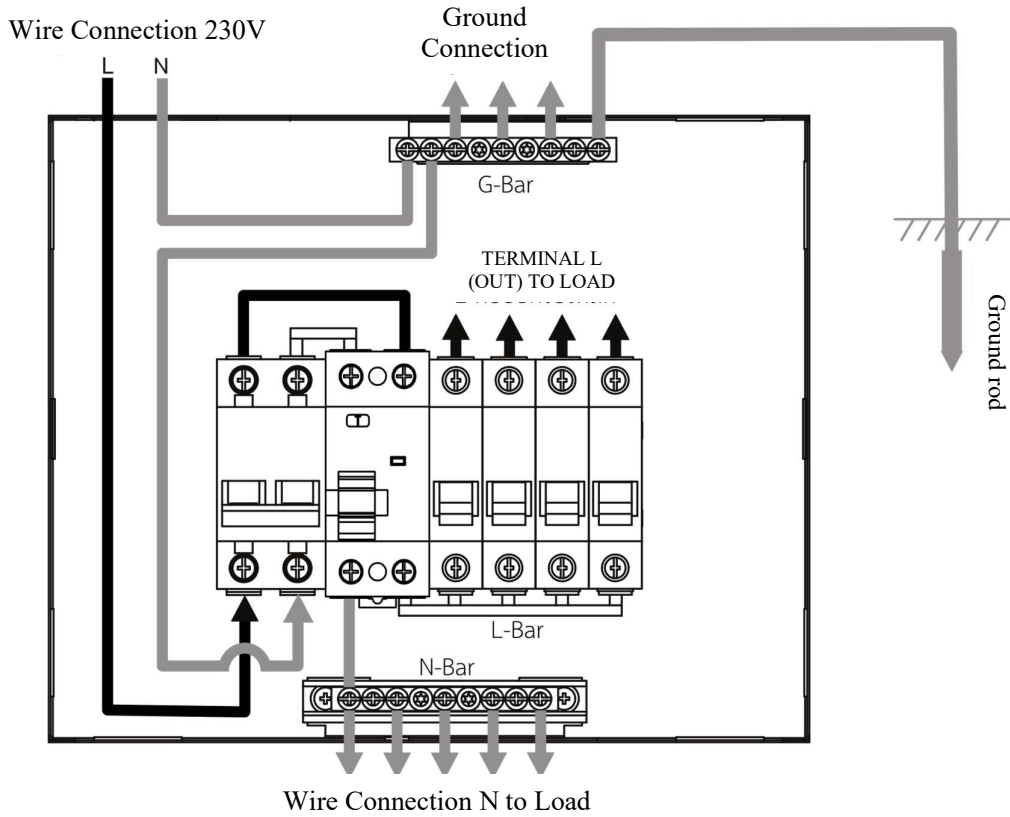


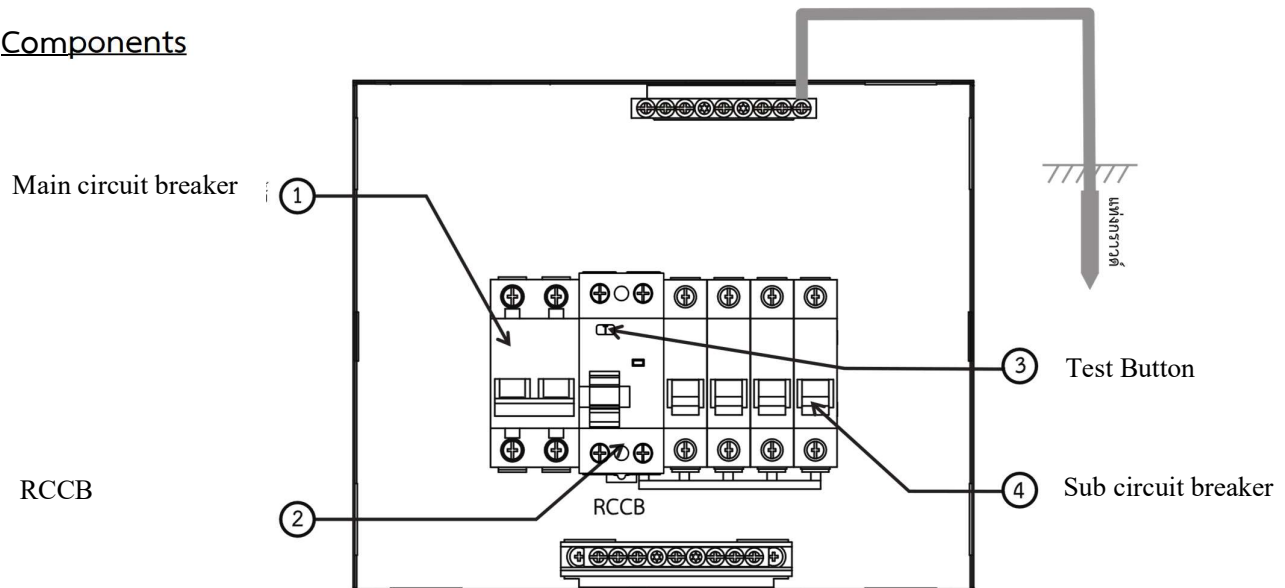
User Manual : Consumer Unit & RCCB

The electrical circuit control cabinet is used to prevent accidents from using electricity such as electric shock, electric leakage, short circuit (Short Circuit) and the use of electric current overload (Overload).

Wiring Diagram



Components



How to use

1. Turn on the switch of Main Circuit Breaker (1) to "ON" and RCCB (2) to "ON" to supply power.
2. Then press the test button (3) to check the operation of the RCCB, which must immediately cut off the circuit indicating that the machine is normal.
3. Then turn the sub circuit breaker (4) "ON" during operation. In the event of a leakage current, the RCCB (2) will cut off the circuit immediately.
4. In the event of a short circuit, the sub circuit breaker (4) or the main circuit breaker (1) will cut off the circuit immediately. And in case of using over current (Over Load), the sub-circuit breaker (4) will be hot and cut off the circuit. which the cutting time is according to IEC60898 standard.

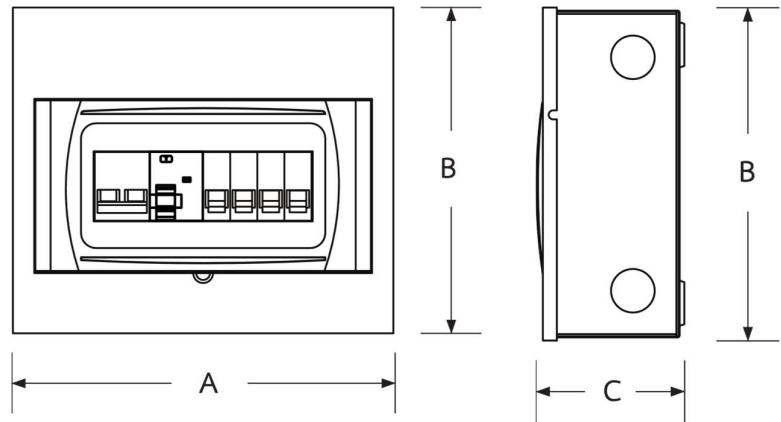
*Restrictions on use. Use in a home (residential) or similar location. Type of open-enclosed electrical cabinet, single box, installed inside a stationary building Install the fixed device.

Specification

Model	Consumer Unit & RCCB Premier					
	2 way	4 way	6 way	8 way	12 way	14 way
Number of Way						
Assembly current (I_{nA})	63 Amax					
Rated Current (I_{nc})	63 Amax					
Rated Voltage (U_n)	230 V					
operating voltage (U_e)	220-240 V					
impulse withstand voltage (U_{imp})	4 kV					
Rated frequency (F_n)	50 Hz					
Withstand short-circuit current (I_{cu})	≤10000 A					
Diversity Factor (RDF)	0.5					
insulation voltage (U_i)	690 V					
operating temperature	10-40 °C					
protection against mechanical impact	IK 05 (ภายในอาคาร)					
pollution level	2					
Short circuit protection characteristics	MCB					
grounding system	TN-S					
protection class	IP30					
Circuit Breaker Type	Bolt-On					
RCCB (AUR8)						
Rated Current (I_n)	16A , 32A , 40A , 63A					
residual operating current ($I_{\Delta n}$)	30mA					
Rated residual making and breaking capacity ($I_{\Delta m}$)	1000 A					
short-circuit withstand (I_{cu})	10000 A					
Total Weight	2.3 kg.	2.5 kg.	2.7 kg.	3.4 kg.	4.2 kg.	4.4 kg.

Dimension (CM)

จำนวนช่อง	B	A	C
2 way	21.4	22	9.7
4 way	21.4	25.5	9.7
6 way	21.4	29.5	9.7
8 way	21.4	36.5	9.7
12 way	21.4	47	9.7
14 way	21.4	47	9.7



Safe-T-Cut Manufacturing Co., Ltd.

Tel. 02-742-7060, 086-318-7147 FAX. 02-741-4131 www.safe-t-cut.com

Hotline (24 hrs.) 082-818-1188 RV.01